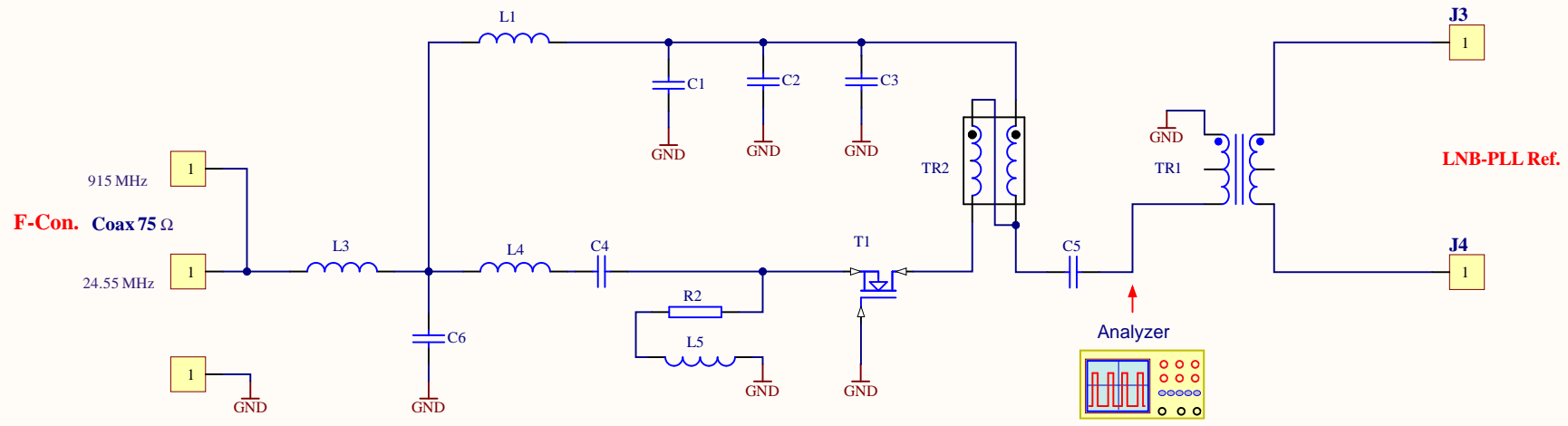


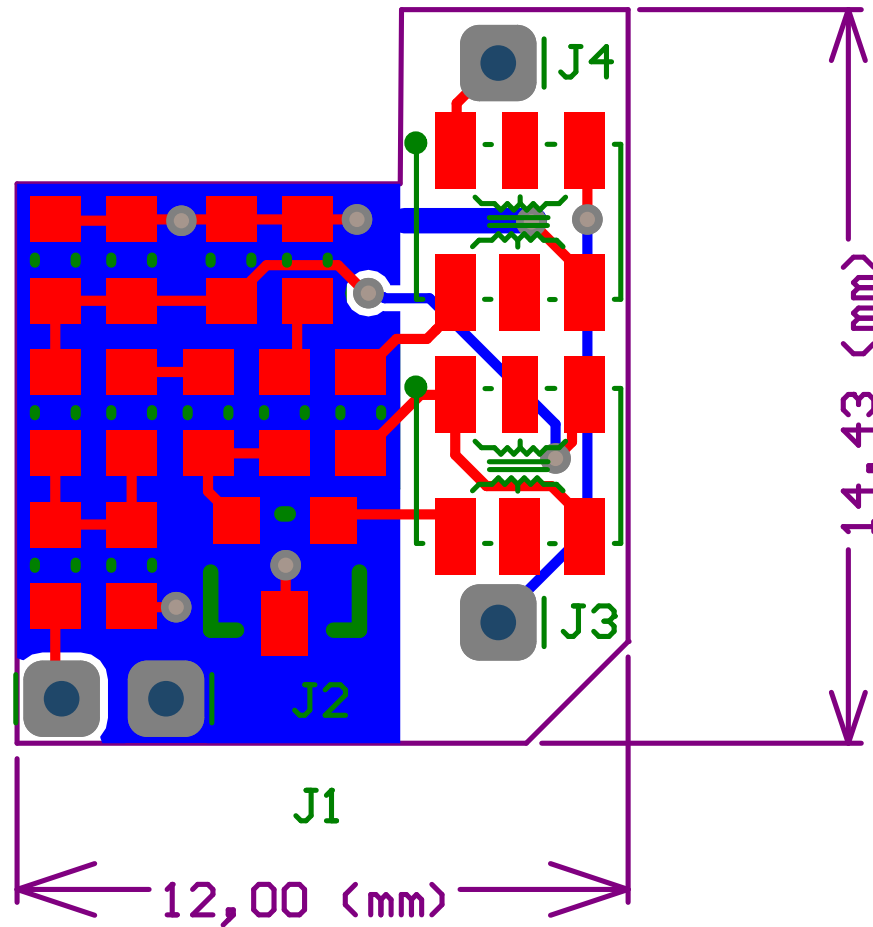
LNB-PLL PCB	2
LNB-PLL_Bestückung	3



ALL RIGHTS RESERVED			
Title		LNB-PLL PCB	
Size	Number	Hilberling	Revision 3
A4			23.04.2022 Hilb.
Date:	7.13.2022	Sheet of	
File:	Projekt :	UDL-16 LNB-PLL PCB	Hilb.

1 2 3 4

L1 L4 C4 R2 C5
L3 C6 T1



TR1

TR2